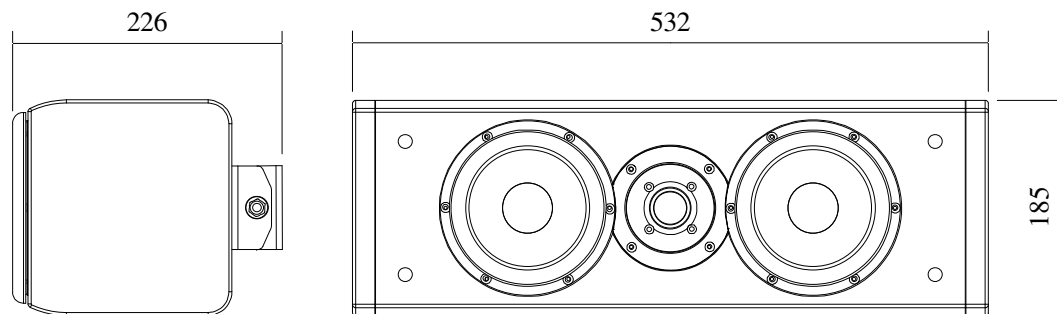


smart



SYSTEM: 2 way vented box loudspeaker.

CABINET: Construction with decoupled side panels for resonances and standing waves control.

TWEETER: 25 mm high definition precoated fabric dome driver with a wide, soft polymer surround and a rear chamber. Custom design.

MID-WOOFERS: 150 mm cone driver. A free compression basket and a thermo-muldered polypropylene textile cone, also known as “curv”, ensure an excellent dynamic performance. Custom design.

CROSS-OVER: Non-resonant third order design, optimized phase characteristics for optimal space/time performance, cross-over point 2.000 Hz.

FREQUENCY RESPONSE: 60 Hz – 25.000 Hz, tuning port included.

SENSITIVITY: 88 dB SPL (2.83 V/1m).

NOMINAL IMPEDANCE: 8 ohm.

POWER HANDLING: 30W – 150W without clipping.

FINISH: Combination of goffered black and black leather.

DIMENSIONS: 185 x 532 x 226 mm (HxWxD).

WEIGHT: 11 Kg – net weight/ 12,5Kg – shipping weight.